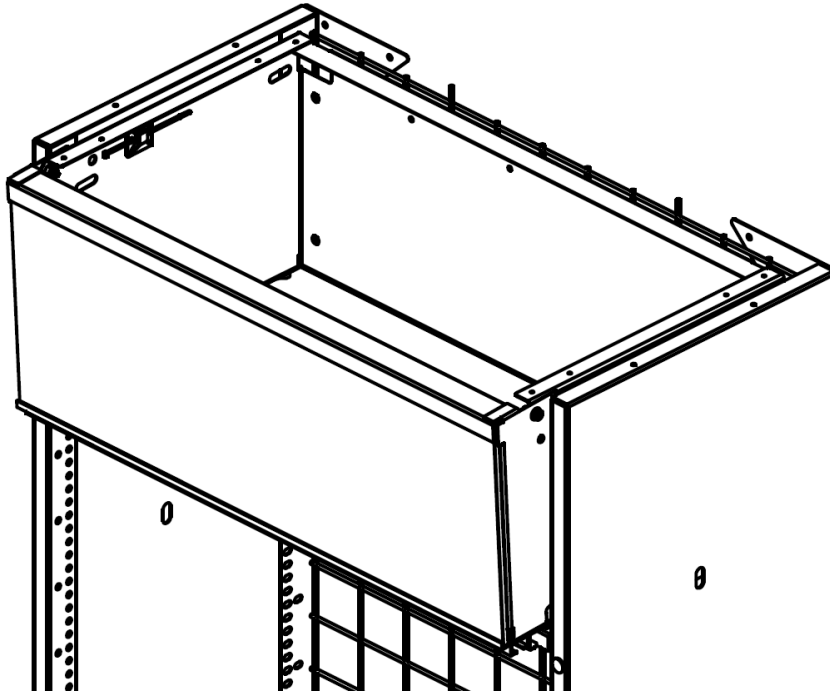


# INFINITY HEADER INSTALLATION ON TMF FIXTURES



HARDWARE KIT CONTENTS		
Part #	Description	Qty
43706	#1/4-20X1/2 TRUSS HD BT ZC	4
272543	1/4" FENDER WASHER	4
40135	#1/4-20 WING NUT ZINC	4

**NOTE: HARDWARE KIT IS PROVIDED WITH THE INFINITY HEADER.**

Carefully read the contents of these instructions, as the instructions indicate the correct step by step procedure to assemble the product. The carton contents page(s) will identify the assembly part numbers and their descriptions. Before proceeding with the assembly process, match the carton contents to the stated contents to ensure there are no missing parts. In the event of assembly problems or missing parts, please call our customer service department at 616-842-5330.

## CAUTION:

ASSEMBLED UNIT IS VERY HEAVY. DO NOT ATTEMPT TO LIFT OR MOVE WITHOUT ASSISTANCE.

THE MANUFACTURER OF THIS DISPLAY ASSUMES NO LIABILITY FOR INJURY CAUSED BY IMPROPER ASSEMBLY / INSTALLATION OF THIS DISPLAY.



## WARNING:

This product contains chemicals known to the State of California to cause cancer and birth defects or other reproduction harm.

For more information, go to [www.P65Warnings.ca.gov](http://www.P65Warnings.ca.gov)

NUMBER OF PEOPLE REQUIRED TO ASSEMBLE: 1  
ESTIMATED TIME: 1 hour

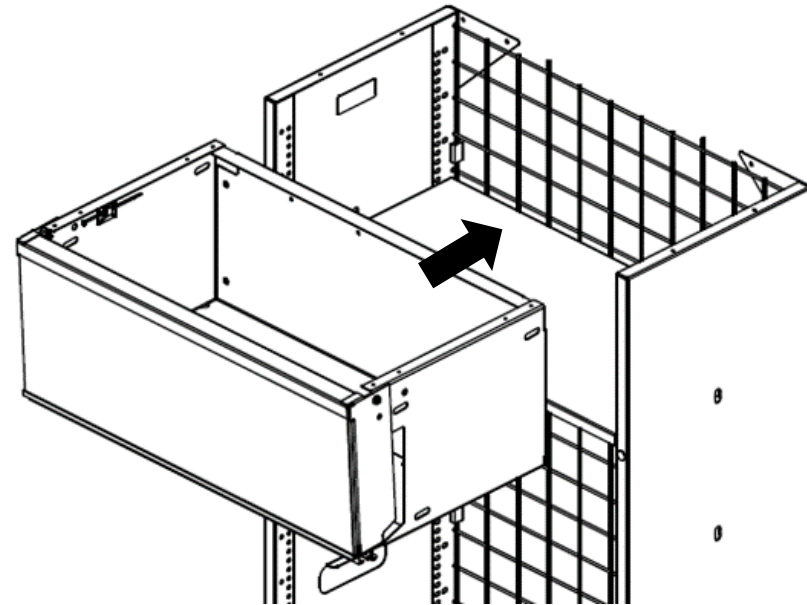
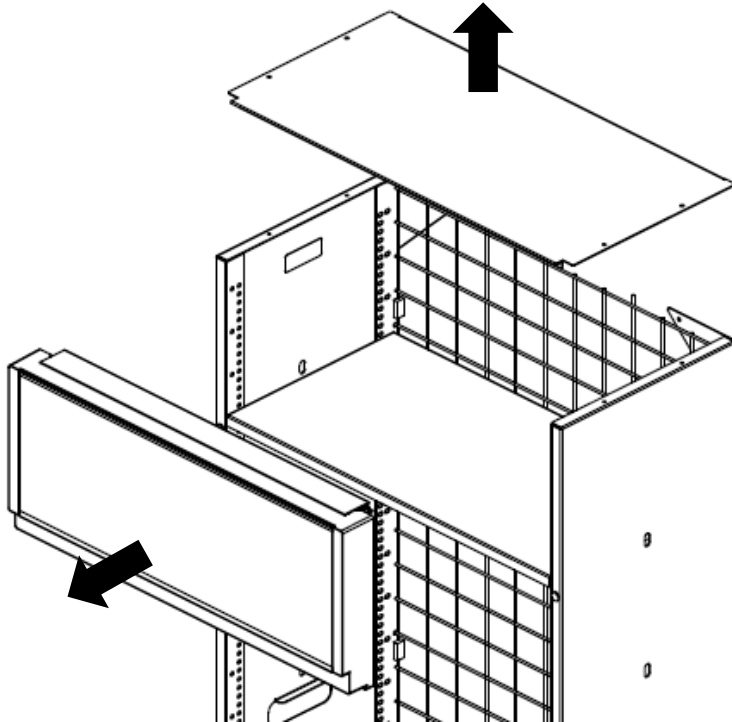
## TOOLS:

- Phillips screwdriver
- Power driver
- 5/16" Drill Bit

# INFINITY HEADER INSTALLATION ON TMF FIXTURES

## INFINITY HEADER ON TMF FIXTURES INSTALLATION

1. Remove existing TMF header and top panel from TMF Fixture.
2. Center and place new header onto shelf of TMF fixture.



NOTE: INSTALLATION IS SHOWN ON A 2' TMF FIXTURE. INSTALLATION IS THE SAME FOR 3' & 4' TMF FIXTURES.

323696IS

9-23-2020

\*\*IT IS THE RESPONSIBILITY OF THE INSTALLER TO CAREFULLY READ & FOLLOW ALL STEPS IN THE INSTRUCTIONS.

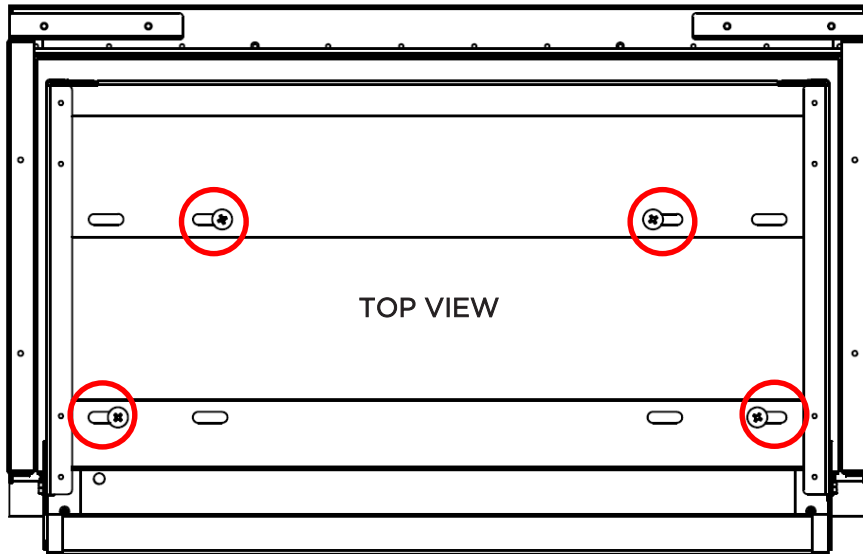
SHEET 2 OF 3

**HARBOR**

# INFINITY HEADER INSTALLATION ON TMF FIXTURES

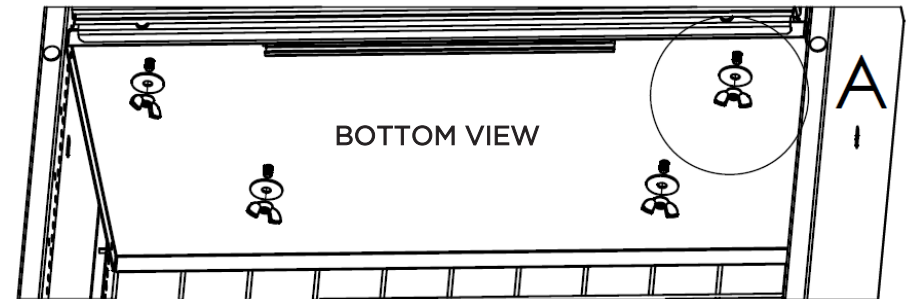
## INFINITY HEADER ON TMF FIXTURES INSTALLATION

3. With header placed in position, mark and drill hole locations. Attach header into shelf using (4) #1/4-20 x 1/2" TRUSS HD BT ZC screws.



NOTE: 5/16" PILOT HOLES WILL NEED TO BE DRILLED FOR SCREWS

4. From the underside of the shelf, insert the (4) 1/4" Fender Washers and 1/4-20 Wing Nuts onto the screws.



## DETAIL A

